

USA SALES ONLY. FOR FOREIGN SALES CONTACT YOUR DISTRIBUTOR.

THE ECOSLUG[®] ML

Non-Lead Muzzleloading Projectile

.50 caliber sabot bullet for use in modern muzzleloaders with removable breech plugs



The Ecoslug ML
Bullet



The Ecoslug ML in
Sabot



Ecoslug ML Recovered
from Perma-Gel[®]
Ballistic Gelatin

BENEFITS -

- Non-lead, approved for use in California's Non-Lead hunting areas.
- Light Weight at 188 grains. Low Recoil, High Muzzle Velocity.
- Controlled expansion with 100% weight retention (in Perma-Gel[®] tests).
- No lead fragments in your game meat.
- No concerns with lead cleanup/mitigation issues on your shooting range.
- Reasonable cost, less than many lead bullets - \$14.00 for 20 bullets & sabots.



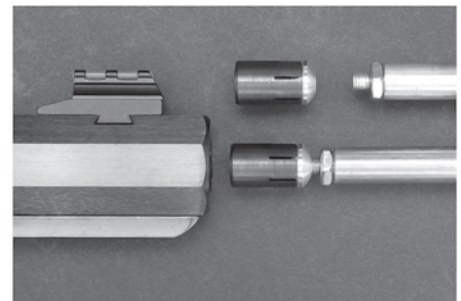
NEW!

The Ecoslug ML NRBP

(Non-Removable Breech Plug)

for use in .50 caliber

Traditional-Style Muzzleloaders!



Using non-lead bullets in muzzleloaders with non-removable breechplugs presents a problem in the event that a bullet gets stuck in the barrel. You can't use a lead ball puller, and a CO₂ ball discharger will not always work with sabot bullets since a gas seal is not created until they're fired. The Ecoslug ML NRBP has a feature (patent pending) where it can be removed from the barrel with the included extraction tool (fits on ramrods with 10-32 female tip). Like the Ecoslug ML, the NRBP version is a non-lead bullet. It works best in muzzleloaders with fast twist barrels such as the TC Renegade[™] with Green Mountain LRH[™] barrel (1:28 twist) or the Lyman[®] Great Plains Hunter[™] (1:32 twist).

Bullet weight: 181 grains

Price: \$17.00 for 20 bullets & sabots, 1 extraction tool included

Made in USA PATENT PENDING

For more info & ordering visit our web site www.eco-slug.com

P-bar Co. LLC (440) 238-6050